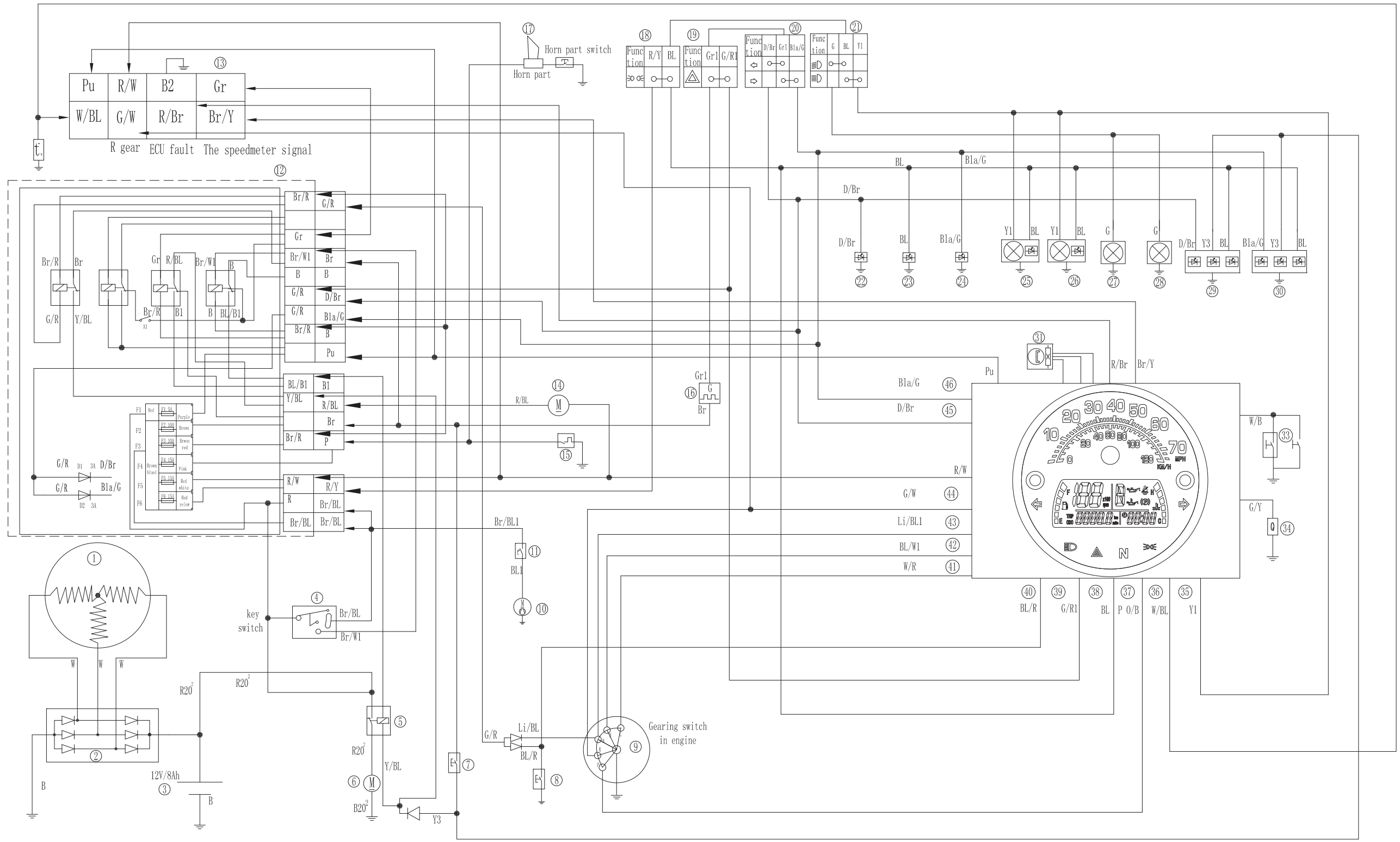


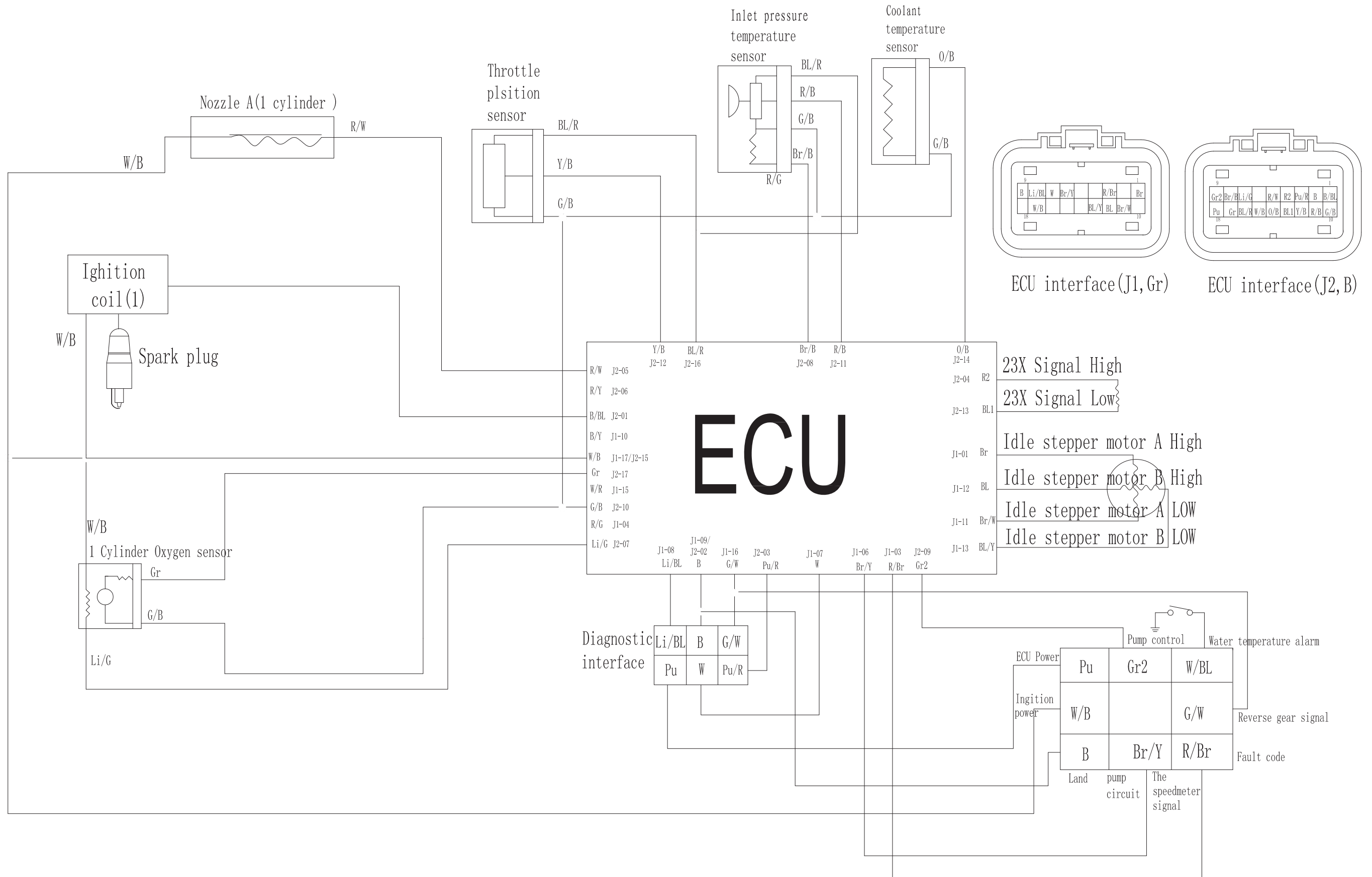
Strike 250 Wire Diagram



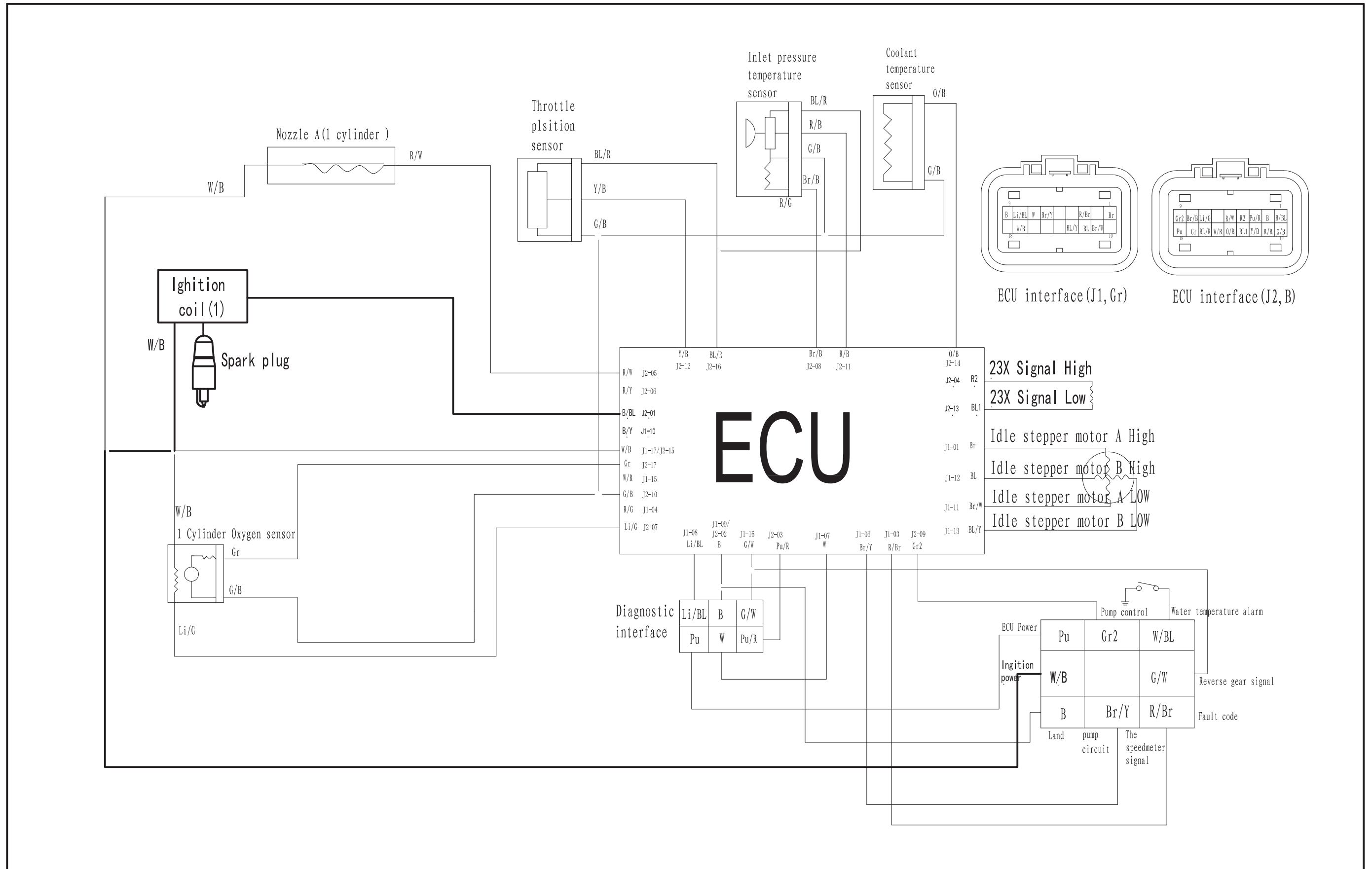
- | | | | | | |
|-----------------------|----------------------------|-------------------------------|--------------------------|--------------------------|------------------------|
| ① Magnetic motor | ⑨ Gear switch | ⑰ Horn part | ⑳ Front high beam light | ㉓ Safety belt switch | ㉔ L gear lamp |
| ② Regulator/rectifier | ⑩ Fan motor | ⑱ head light switch | ㉑ Front high beam light | ㉔ Fuel level sensor | ㉕ H gear lamp |
| ③ Battery | ⑪ Water temperature switch | ㉒ Emergency lamp switch | ㉒ Front low beam light | ㉕ High beam | ㉖ Neutral gear lamp |
| ④ Ignition switch | ⑫ Relay assy. | ㉓ Turn light switch | ㉓ Front low beam light | ㉖ Water temperature lamp | ㉗ Reverse gear lamp |
| ⑤ Starter relay | ⑬ TO ECU interface | ㉔ Low(high beam) light switch | ㉔ Front low beam light | ㉗ P gear lamp | ㉘ Right direction lamp |
| ⑥ Starter motor | ⑭ Fuel pump | ㉕ Front left turn light | ㉕ Front low beam light | ㉘ Position lamp | ㉙ Left direction lamp |
| ⑦ Brake switch | ⑮ DC auxiliary socket | ㉖ License light | ㉖ Front right turn light | ㉙ Emergency lamp | |
| ⑧ Parking switch | ⑯ Flasher | | | ㉚ Speedmeter | |

Note:
 R-Red Pu-Purple Li-Light W-White D-Dark Bla-Blackish
 Br-Brown Y-Yellow BL-Blue B-Black Gr-Grey P-Pink
 O-Orange G-Green

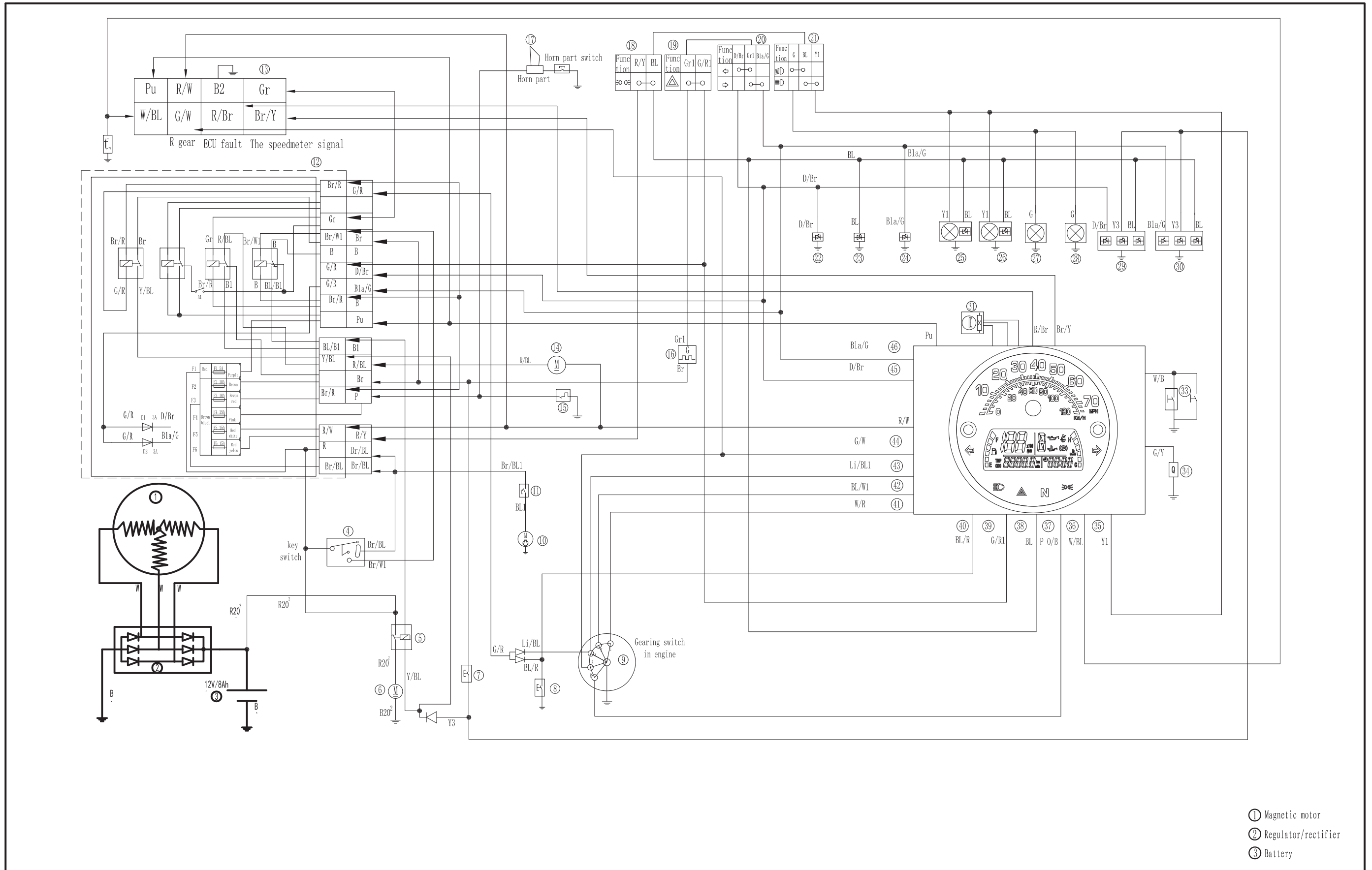
Strike 250 EFI Wire Diagram



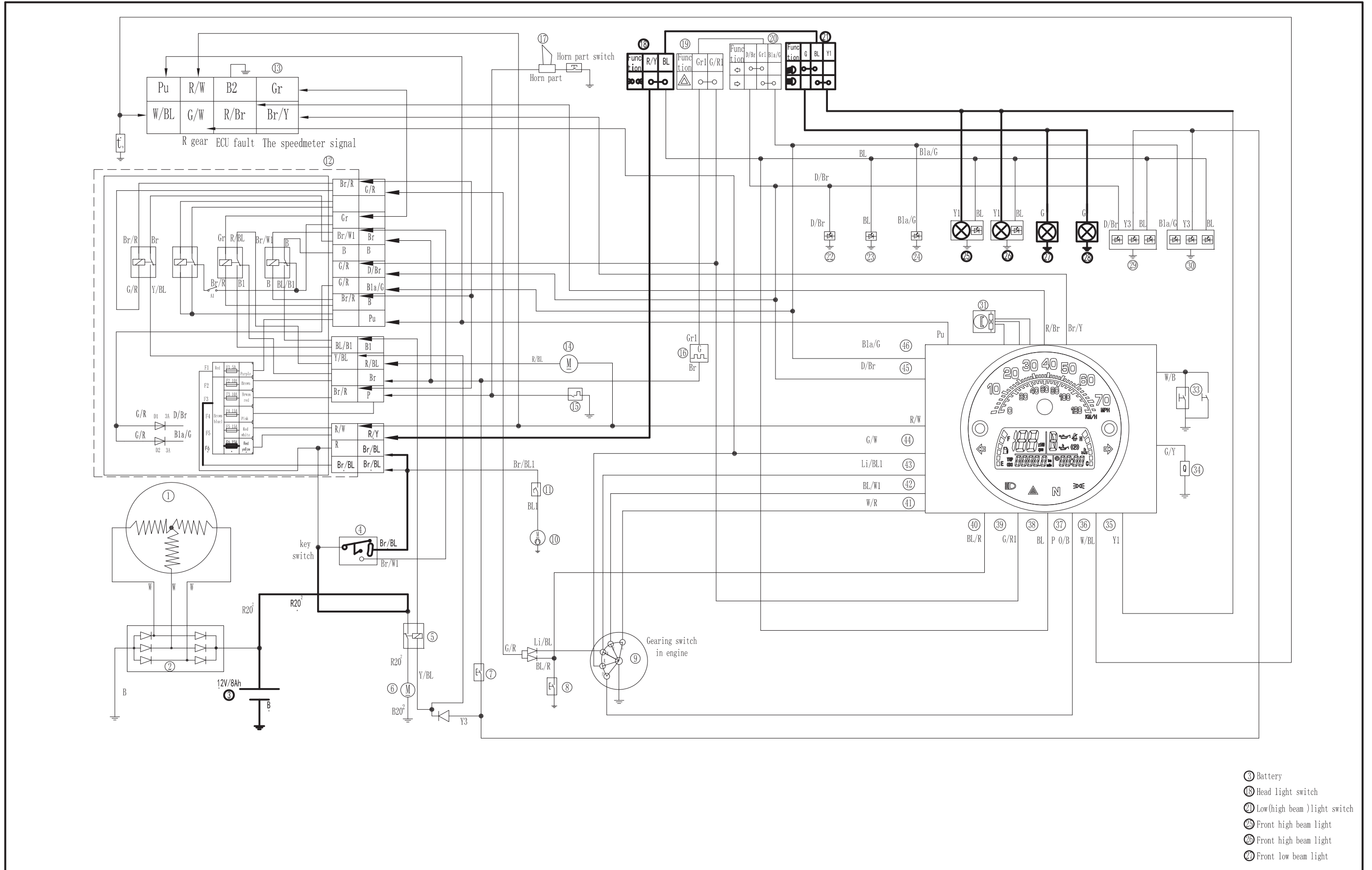
Strike 250 Ignition System Wire Diagram



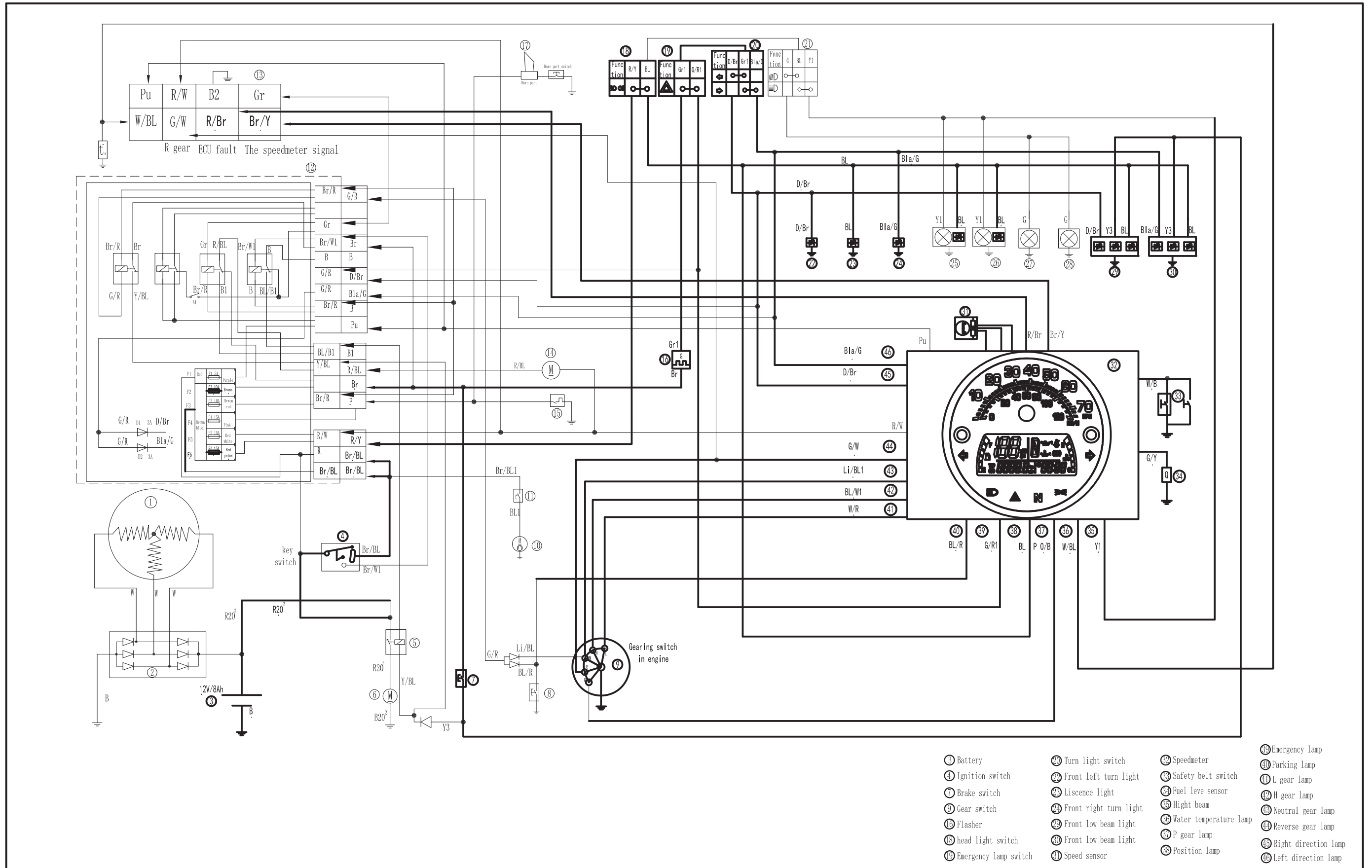
Strike 250 Charging System Wire Diagram



Strike 250 Lighting Wire Diagram



Strike 250 Signal System Wire Diagram



Strike 250 Cooling System Wire Diagram

